

**DIMENSIONS— INCHES & [mm]**

MODEL NUMBER	CAPACITY LBS [KG]	MOUNT THD	THD TORQUE	WEIGHT	CABLE LENGTH FT [M]
HI SPB1-50	110 LB [50KG]	.312-18 UNC X .75 [19.1] DEEP	18 LB-FT [25NM]	11.90 LB [5.4KG]	10FT [3M]
HI SPB1-100	220 LB [100KG]			11.90 LB [5.4KG]	
HI SPB1-250	550 LB [250KG]			12.57 LB [5.7KG]	
HI SPB1-500	1.1 KLB [500KG]			12.57 LB [5.7KG]	
HI SPB1-1000	2.2 KLB [1000KG]			12.79 [5.8KG]	

TOLERANCES: ±0.01 [0.3] UNLESS OTHERWISE STATED

9. SEE SHEET 2 FOR FULL SCALE 2 DIMENSIONAL DROP-IN CAD FILE VIEWS.

8. LOAD SENSOR OPERATING TEMPERATURE RATING IS -40°C TO +80°C. USAGE OF LOAD SENSOR AT TEMPERATURES BELOW -40°C REQUIRES THAT THE LOAD SENSOR AND CABLE BE TEMPERATURE CONTROLLED.

7. LOAD SENSOR IS STAINLESS STEEL 17-4PH (1.4548).

6. CABLE IS SHIELDED, 6 CONDUCTOR. CABLE SHIELD IS FLOATING. SEE TABLE FOR CABLE LENGTHS.

5. C2 WIRE COLOR CODE FLAG LABEL IS LOCATED APPROXIMATELY 10 INCHES [254MM] FROM END OF CABLE.

EXCITATION +	RED
EXCITATION -	BLACK
SIGNAL +	GREEN
SIGNAL -	WHITE
C2 +	GRAY
C2 -	VIOLET
SHIELD	YELLOW

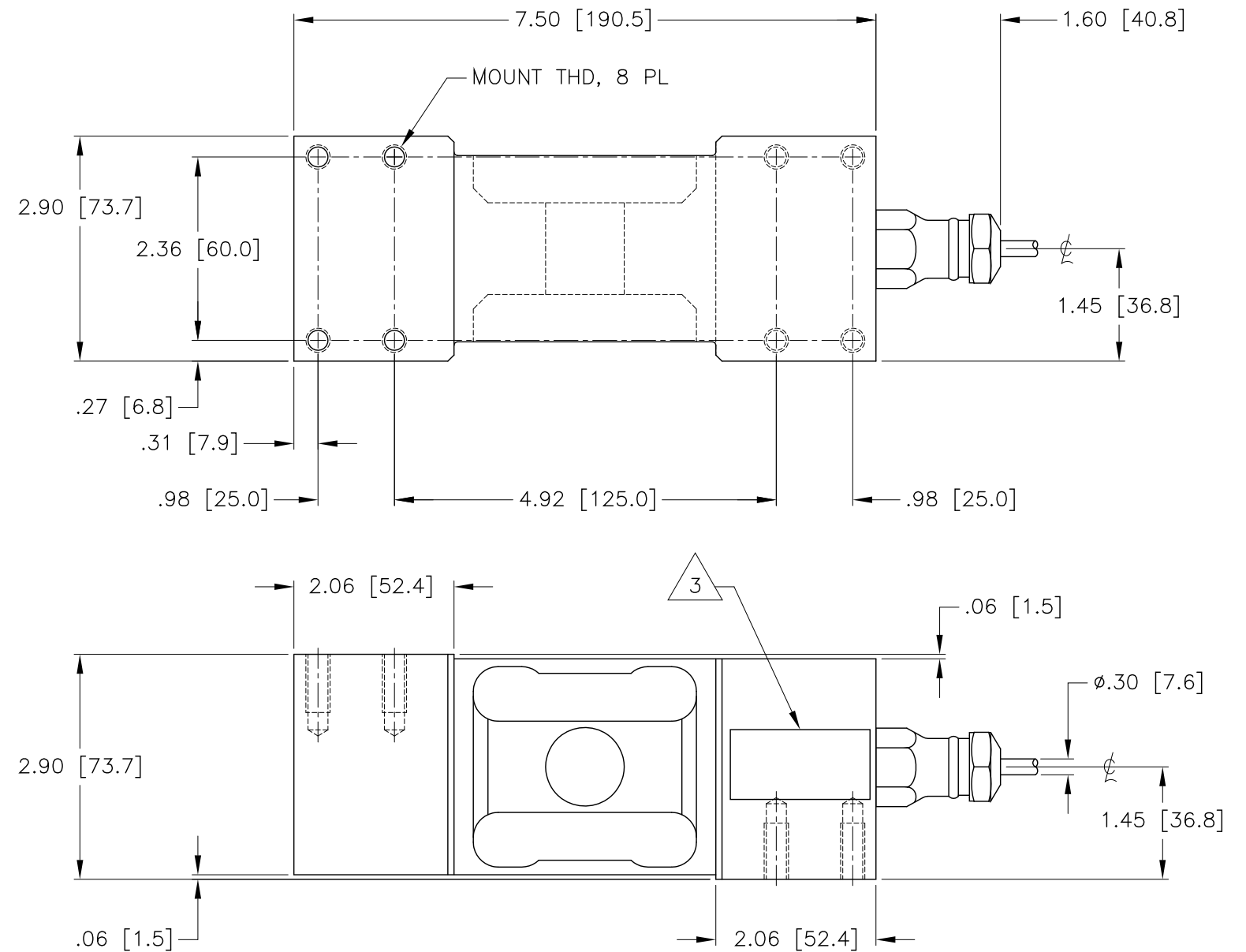
4. CABLE WIRE ENDS ARE STRIPPED BACK 0.5 INCHES [12.7MM] AND TINNED. CABLE JACKET IS STRIPPED BACK APPROXIMATELY 5 INCHES [127MM].


**3** LOCATION OF MODEL/SERIAL NUMBER LABEL.

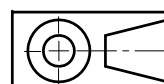
2. THIS DRAWING IS SUBJECT TO CHANGE WITHOUT NOTICE.

1. RATED OUTPUT: 2mV/V ±5%.

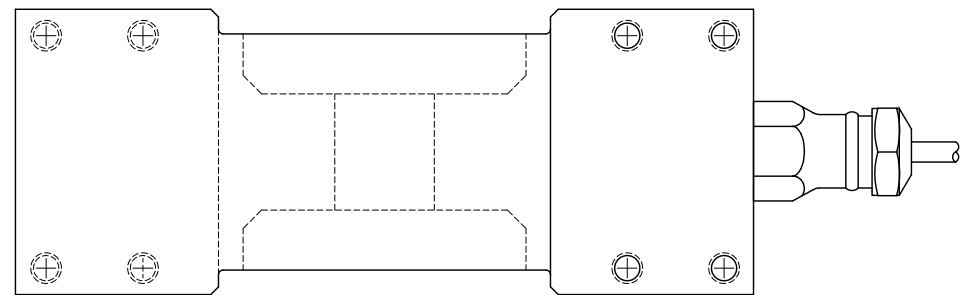
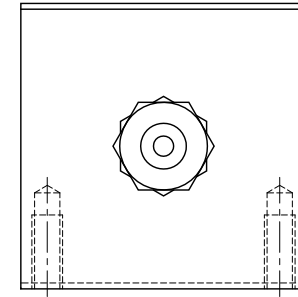
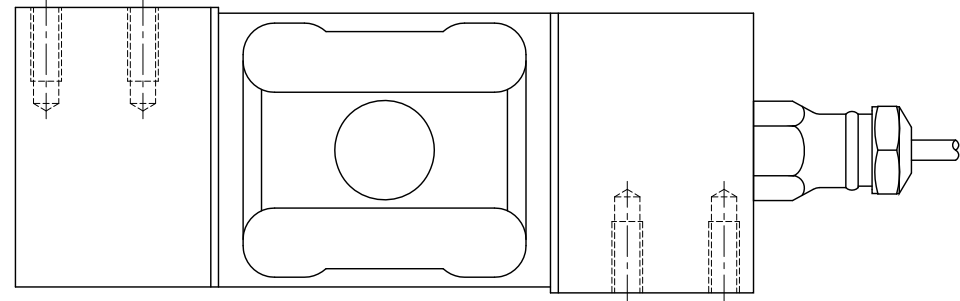
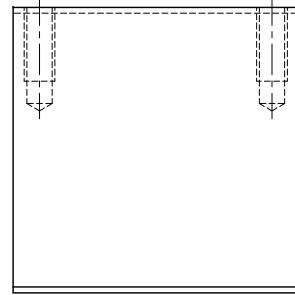
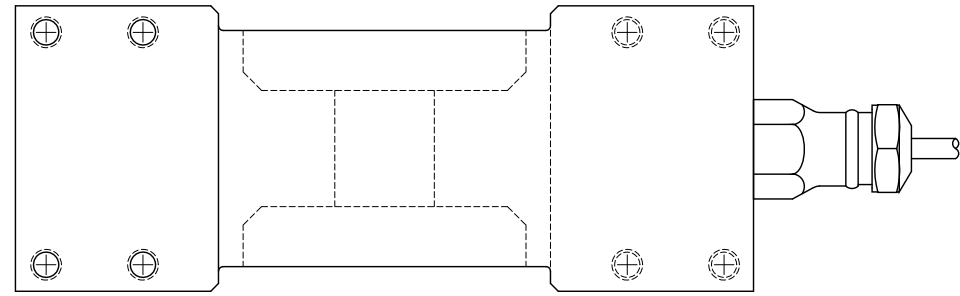
REV.	ECO/DDC	DESCRIPTION	DATE	DRAFT	CHECK	APV'D
A	----	RELEASED.	09-24-14	V.J.C.	N.H.S.	E.J.



ITEM	QTY	0588-0151	0588-0151	OUTLINE DRAWING, LOAD SENSOR, HI SPB1 SERIES	COMMENTS
UNLESS OTHERWISE SPECIFIED DIMENSIONS ARE IN INCHES [MM] TOLERANCES ARE: DECIMALS: .XX = ±.01 [.25] .XXX = N/A ANGLES: ±0°, 30'					
MATERIAL		CONTRACT NO.		 <p>OUTLINE DRAWING, LOAD SENSOR, HI SPB1 SERIES</p>	
FINISH		APPROVALS			
DO NOT SCALE DRAWING		DRAWN V. CHULA DATE 09-12-14			
		CHECKED N. SCHERRER DATE 09-23-14			
		APPROVED E. JAMES DATE 09-24-14		TITLE	
		ISSUED V. CHULA DATE 09-24-14		SIZE D 21316	
		PRODUCTION DATE		DRAWING NO. 0588-0151	
				REV. A	
				FILE NAME: 588151A1.DWG	
				SCALE: NONE	
				SHEET 1 OF 2	



**PROPRIETARY NOTICE**  
 ALL DATA AND INFORMATION CONTAINED IN OR DISCLOSED BY THIS DOCUMENT IS CONFIDENTIAL AND PROPRIETARY INFORMATION OF HARDY PROCESS SOLUTIONS INC. AND ALL RIGHTS THEREIN ARE EXPRESSLY RESERVED. BY ACCEPTING THIS MATERIAL THE RECIPIENT AGREES THAT THIS MATERIAL AND THE INFORMATION CONTAINED THEREIN IS HELD IN CONFIDENCE AND IN TRUST AND SHALL NOT BE USED, COPIED, REPRODUCED IN WHOLE OR IN PART, NOR ITS CONTENTS REVEALED IN ANY MANNER TO OTHERS, EXCEPT TO MEET THE SPECIFIC PURPOSE FOR WHICH IT WAS DELIVERED.



DROP-IN CAD FILE VIEWS

**HARDY**  
PROCESS SOLUTIONS

TITLE			
OUTLINE DRAWING, LOAD SENSOR, HI SPB1 SERIES			
SIZE	FSCM	DRAWING NO.	REV.
D	21316	0588-0151	A
FILE NAME: 588151A1.DWG		SCALE: NONE	SHEET 2 OF 2

